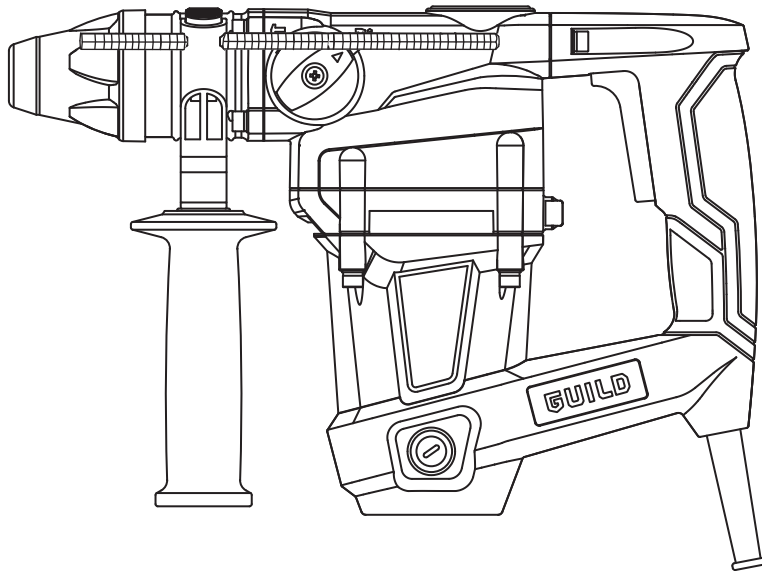


GUILD

1000W Rotary Hammer

Instruction Manual

PDH26G



GUILD

After Sales Support

UK/Ireland +44 333 320 1989
Help@guildpowertools.co.uk

Important - Please read these instructions fully before operating or maintaining your Guild rotary hammer

These instructions contain important information that will help you get the best from your Guild rotary hammer, ensuring it remains safe to operate.

If you need help or have damaged or missing parts, call the Customer Helpline on +44 333 320 1989

Contents

| | |
|--|----|
| Safety Information..... | 3 |
| In The Box..... | 6 |
| Accessories..... | 6 |
| Operating Instructions..... | 7 |
| Working Hints For Your Rotary Hammer | 11 |
| Maintenance..... | 12 |
| Trouble Shooting..... | 12 |
| Technical Data..... | 13 |
| Environmental Protection..... | 14 |
| Guarantee..... | 14 |
| Plug Replacement (Uk & Ireland Only)..... | 15 |

Produced in China.
Argos Limited, 489-499 Avebury
Boulevard, Milton Keynes, MK9 2NW.
Argos (N.I.) Ltd, Forestside Shopping Centre, Upper Galwally,
Belfast, United Kingdom, BT8 6FX.
Argos Distributors (Ireland) Limited, Unit 7,
Ashbourne Retail Park, Ballybin Road, Ashbourne, County
Meath, Ireland

Safety Information

Important - Please read these instructions fully before starting assembly

Warning Symbols

The following warning symbols appear throughout this assembly manual and indicate the appropriate safety measures you should take when assembling and operating the rotary hammer.



To reduce the risk of injury, Please read the instruction manual



Warning



Wear ear protection



Wear eye protection



Wear dust mask



Double insulation



Waste electrical products must not be disposed of with household waste. Please recycle where facilities exist. Check with your Local Authority or retailer for recycling advice.



Conforms to relevant EU regulatory requirements

Conforms to relevant UK regulatory requirements

General Power Tool Safety Warnings



WARNING! Read all safety warnings, instructions, illustrations and specifications provided with this power tool. Failure to follow the warnings and instructions may result in electric shock, fire and/or serious injury.

Save all warnings and instructions for future reference.

The term “power tool” in the warnings refers to your mains-operated (corded) power tool or battery-operated (cordless) power tool.

1) Work area safety

- a) **Keep work area clean and well lit.** Cluttered or dark areas invite accidents.
- b) **Do not operate power tools in explosive atmospheres, such as in the presence of flammable liquids, gases or dust.** Power tools create sparks which may ignite the dust or fumes.
- c) **Keep children and bystanders away while operating a power tool.** Distractions can cause you to lose control.

2) Electrical safety

- a) **Power tool plugs must match the outlet. Never modify the plug in any way. Do not**

Safety Information

Important - Please read these instructions fully before starting assembly

General Power Tool Safety Warnings

- use any adapter plugs with earthed (grounded) power tools.** Unmodified plugs and matching outlets will reduce risk of electric shock.
- b) Avoid body contact with earthed or grounded surfaces, such as pipes, radiators, ranges and refrigerators.** There is an increased risk of electric shock if your body is earthed or grounded.
 - c) Do not expose power tools to rain or wet conditions.** Water entering a power tool will increase the risk of electric shock.
 - d) Do not abuse the cord. Never use the cord for carrying, pulling or unplugging the power tool. Keep cord away from heat, oil, sharp edges or moving parts.** Damaged or entangled cords increase the risk of electric shock.
 - e) When operating a power tool outdoors, use an extension cord suitable for outdoor use.** Use of a cord suitable for outdoor use reduces the risk of electric shock.
 - f) If operating a power tool in a damp location is unavoidable, use a residual current device (RCD) protected supply.** Use of an RCD reduces the risk of electric shock.
- 3) Personal safety**
- a) Stay alert, watch what you are doing and use common sense when operating a power tool. Do not use a power tool while you are tired or under the influence of drugs, alcohol or medication.** A moment of inattention while operating power tools may result in serious personal injury.
 - b) Use personal protective equipment. Always wear eye protection.** Protective equipment such as dust mask, non-skid safety shoes, hard hat, or hearing protection used for appropriate conditions will reduce personal injuries.
 - c) Prevent unintentional starting. Ensure the switch is in the off-position before connecting to power source and/or battery pack, picking up or carrying the tool.** Carrying power tools with your finger on the switch or energising power tools that have the switch on invites accidents.
 - d) Remove any adjusting key or wrench before turning the power tool on.** A wrench or a key left attached to a rotating part of the power tool may result in personal injury.
 - e) Do not overreach. Keep proper footing and balance at all times.** This enables better control of the power tool in unexpected situations.
 - f) Dress properly. Do not wear loose clothing or jewellery. Keep your hair, clothing and gloves away from moving parts.** Loose clothes, jewellery or long hair can be caught in moving parts.
 - g) If devices are provided for the connection of dust extraction and collection facilities, ensure these are connected and properly used.** Use of dust collection can reduce dust-related hazards.
 - h) Do not let familiarity gained from frequent use of tools allow you to become complacent and ignore tool safety principles.** A careless action can cause severe injury within a fraction of a second.
- 4) Power tool use and care**
- a) Do not force the power tool. Use the correct power tool for your application.** The correct power tool will do the job better and safer at the rate for which it was designed.
 - b) Do not use the power tool if the switch does not turn it on and off.** Any power tool that cannot be controlled with the switch is dangerous and must be repaired.

Safety Information

Important - Please read these instructions fully before starting assembly

General Power Tool Safety Warnings

- c) **Disconnect the plug from the power source and/or the battery pack from the power tool before making any adjustments, changing accessories, or storing power tools.**
Such preventive safety measures reduce the risk of starting the power tool accidentally.
 - d) **Store idle power tools out of the reach of children and do not allow persons unfamiliar with the power tool or these instructions to operate the power tool.**
Power tools are dangerous in the hands of untrained users.
 - e) **Maintain power tools. Check for misalignment or binding of moving parts, breakage of parts and any other condition that may affect the power tool's operation. If damaged, have the power tool repaired before use.** Many accidents are caused by poorly maintained power tools.
 - f) **Keep cutting tools sharp and clean.** Properly maintained cutting tools with sharp cutting edges are less likely to bind and are easier to control.
 - g) **Use the power tool, accessories and tool bits etc. in accordance with these instructions, taking into account the working conditions and the work to be performed.** Use of the power tool for operations different from those intended could result in a hazardous situation.
 - h) **Keep handles and grasping surfaces dry, clean and free from oil and grease.** Slippery handles and grasping surfaces do not allow for safe handling and control of the tool in unexpected situations.
- 5) **Service**
Have your power tool serviced by a qualified repair person using only identical replacement parts. This will ensure that the safety of the power tool is maintained.

Hammer Safety Warnings

- 1) **Safety instructions for all operations**
 - a) **Wear ear protectors.** Exposure to noise can cause hearing loss.
 - b) **Use auxiliary handle(s), if supplied with the tool.** Loss of control can cause personal injury.
 - c) **Hold power tool by insulated gripping surfaces, when performing an operation where the cutting accessory may contact hidden wiring or its own cord.** Cutting accessory contacting a "live" wire may make exposed metal parts of the power tool "live" and could give the operator an electric shock.
- 2) **Safety instructions when using long drill bits with rotary hammers**
 - a) **Always start drilling at low speed and with the bit tip in contact with the workpiece.** At higher speeds, the bit is likely to bend if allowed to rotate freely without contacting the workpiece, resulting in personal injury.
 - b) **Apply pressure only in direct line with the bit and do not apply excessive pressure.** Bits can bend, causing breakage or loss of control, resulting in personal injury.

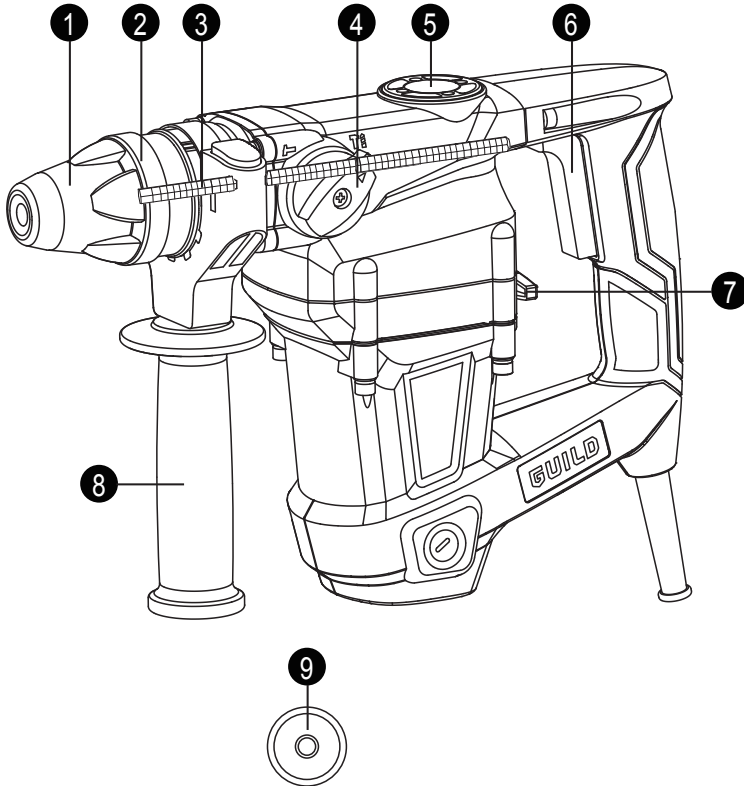
Additional Safety Rules for hammer

- 1. Always wear a dust mask.

In The Box

Parts

- ① Locking sleeve
- ② SDS Chuck
- ③ Depth Gauge
- ④ Hammer and chisel action selector
- ⑤ Grease box cover
- ⑥ On / Off Switch
- ⑦ Hammer and drilling action selector
- ⑧ Auxiliary Handle
- ⑨ Dust cover



Accessories

| | |
|--------------------------------|-----|
| Auxiliary handle | 1pc |
| Dust cover | 1pc |
| Depth gauge | 1pc |
| Point chisel (14x250mm) | 1pc |
| Flat chisel (14x250mm) | 1pc |
| SDS drill bits (8/10/12x150mm) | 3pc |

Operating Instructions



NOTE: Before using the tool, read the instruction book carefully.

Intended Use

This tool is intended for hammer drilling in concrete, brick and stone as well as for light chiseling work. It is also suitable for drilling without impact in wood, metal, ceramic and plastic.

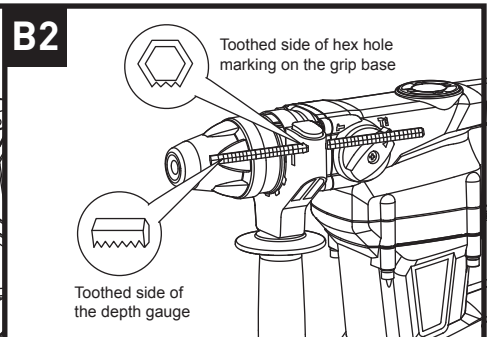
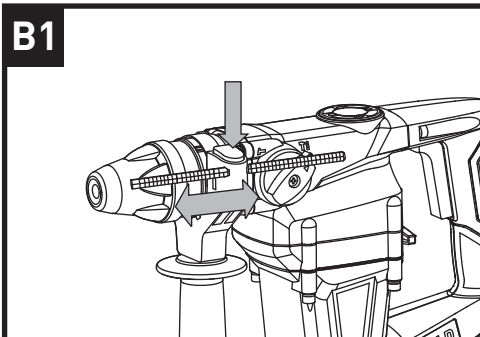
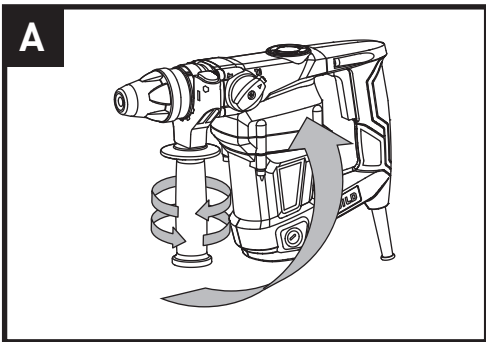
1. ADJUSTING THE AUXILIARY HANDLE (SEE FIG A)

Slide the handle onto the hammer and rotate to the desired working position. To clamp the auxiliary handle rotates the handle clockwise. To loosen the auxiliary handle rotate the handle anti-clockwise.

WARNING: For your personal safety we recommend using the auxiliary handle at all times.

2. INSTALLING THE DEPTH GAUGE (SEE FIG B1, B2)

The depth gauge can be used to set a constant depth to drill (hammer). Fit the drill bit into the chuck. Depress the locking button on the handle and insert the depth gauge



Operating Instructions

into the handle. Slide the depth gauge until the distance between the depth gauge end and the drill bit end is equal to the depth of hole/screw you wish to make.. Release the locking button to tighten.

Note: Make sure that the toothed side of the depth gauge needs to be directed to the toothed side of hex hole in the handle as shown in the figure.

3. USING THE DUST COVER (SEE FIG C)

Use the dust cover to prevent dust from falling over the tool and on yourself when performing overhead drilling operations. Attach the dust cover to the bit as shown in Fig. C.

4. INSERTING AND REMOVING DRILL BIT IN SDS CHUCK FITTING BITS (SEE FIG D)

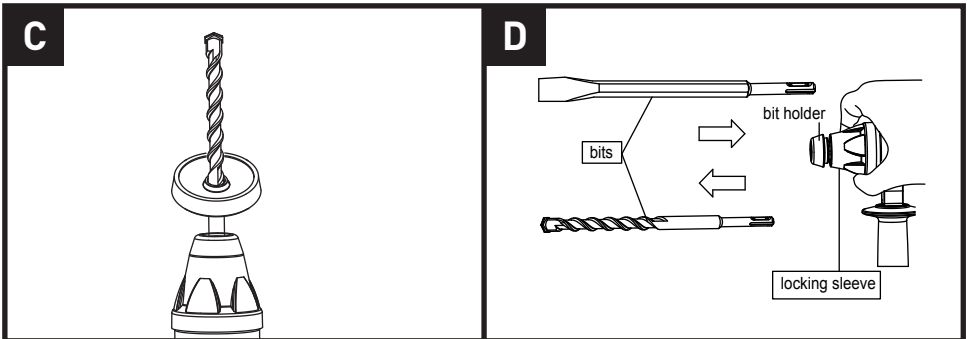
Clean the bit shank and apply grease before installing the bit. Hold the rotary grip, pull back the locking sleeve and insert the bits into the bit holder. Turn the bit until it latches. Then release the locking sleeve. Check the locking by pulling on the tool. If the bit or chuck is not located well, repeat the operation again.

REMOVING BITS (SEE FIG D)

Retract back the bit holder locking sleeve and pull out the bit.



WARNING! Your new Rotary Hammer generates powerful forces to get your job done quickly and effectively. These forces may cause inferior quality SDS bits to break and jam in the chuck. We therefore recommend that only high quality SDS bits be used with this tool.




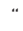
Operating Instructions

5. ON/OFF SWITCH (SEE FIG E)


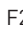
Depress the switch to start the tool and release it to stop your tool.

6. FUNCTION MODE SELECTION

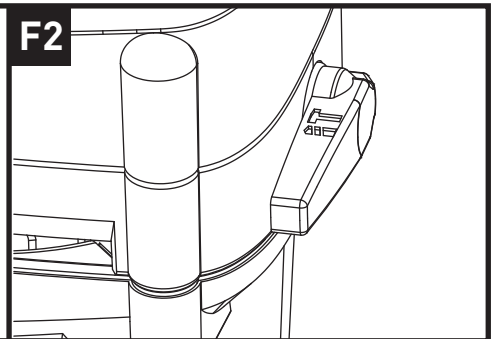
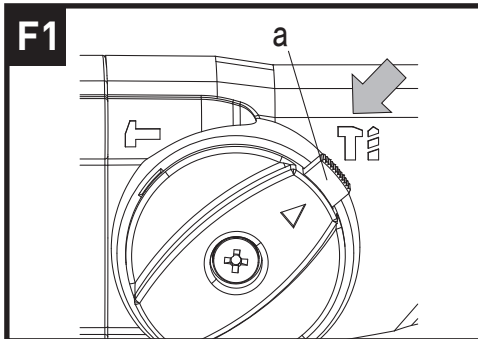
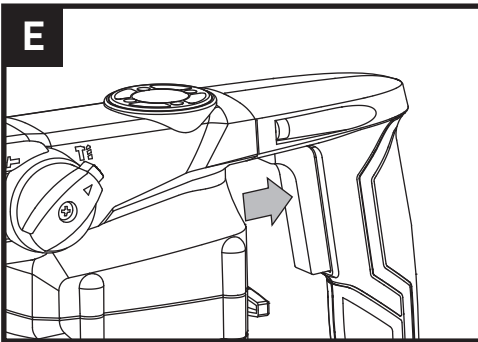
Hammer drill function (SEE FIG F1, F2)

1) For drilling concrete, masonry etc, press the lock button (a) and rotate the selector switch to make sign “  ” point to the triangle. (SEE FIG F1)

Note: You must press the selector switch lock button before adjusting the selector switch. If the selector switch cannot go into the required position, switch on your hammer a little, then adjust the selector switch again.

2) Turn the hammer or drilling action selector switch pointing to the hammer action “  ” position. (SEE FIG F2)

3) You are now set up for hammer drilling into masonry.



Operating Instructions

Drilling function (SEE FIG G1, G2)

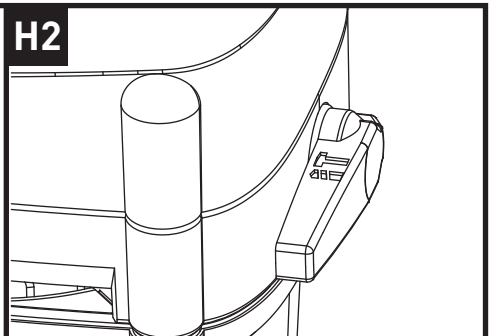
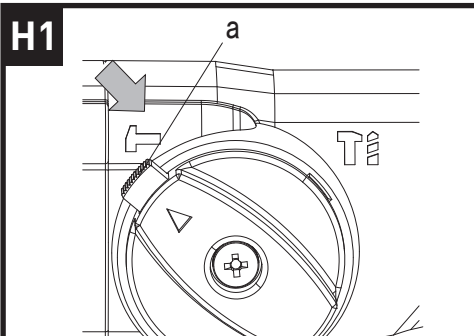
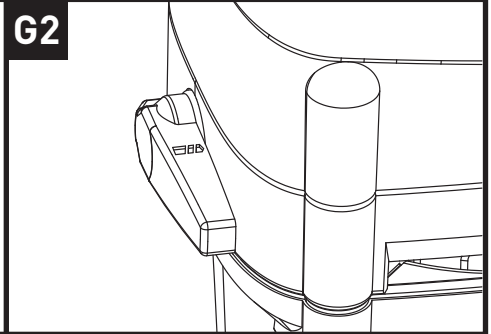
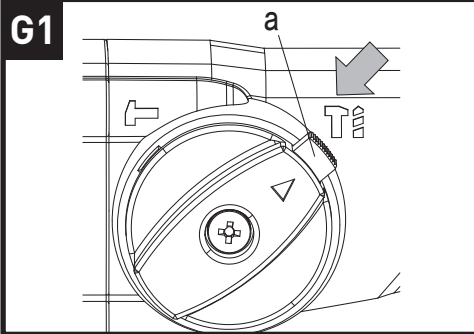
- 1) Press the lock button (a) and rotate the selector switch to make sign " T " point to the triangle. (SEE FIG G1)
- 2) Turn the hammer or drilling action selector switch pointing to the drilling action " " position. (SEE FIG G2)
- 3) You are now set up for drilling function.

Chisel function (SEE FIG H1, H2)

- 1) For chipping, grooving or demolition operation, press the lock button (a) and then rotate the selector switch make sign " T " pointing to the triangle. (SEE FIG H1)
- 2) Turn the hammer or drilling action selector switch pointing to the hammer action " " position. (SEE FIG H2)
- 3) You are now set up for chisel work using Chisel action.














! **WARNING:** You must make sure that the selector switch is positively locked in chisel mode position. If not, it could cause a hazard.

Note: No function if rotate the hammer and chisel action selector (4) to mark sign T and rotate the hammer or drilling action selector switch (5) pointing to drilling action x position



Operating Instructions

Select the function mode as follows:

|  | + |  | ⇒ | Function |
|---|---|---|---|--|
|  | + |  | ⇒ |  Hammer drill |
|  | + |  | ⇒ |  Drilling |
|  | + |  | ⇒ |  Chisel |
|  | + |  | ⇒ | N/A |

7. OVERLOAD PROTECTION

If the tool insert becomes caught or jammed, the drive to the drill spindle is interrupted. Because of the forces that occur, always hold the power tool firmly with both hands and provide for a secure stance.

Working Hints For Your Rotary Hammer

Reduce the pressure on the drill bit when it is about to break through. This will prevent the drill from jamming.

When drilling a large hole, first drill a pilot hole using a smaller drill bit.

Always apply pressure to your drill bit in a straight line, and if possible at right angles to the workpiece.

Never change the operating mode whilst the rotary hammer is running.

Do not apply excessive pressure to the tool when chiseling. Expressive force does not speed up the work.

Maintenance

Remove the plug from the socket before carrying out any adjustment, servicing or maintenance.

There are no user serviceable parts in your power tool. Never use water or chemical cleaners to clean your power tool. Wipe clean with a dry cloth. Always store your power tool in a dry place. Keep the motor ventilation slots clean. Keep all working controls free of dust. Occasionally you may see sparks through the ventilation slots. This is normal and will not damage your power tool.

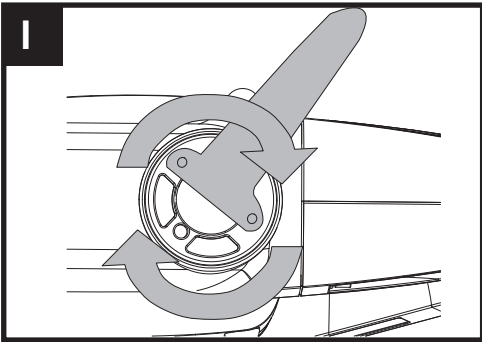
If the supply cord is damaged, it must be replaced by the manufacturer, its service agent or similarly qualified persons in order to avoid a hazard.

LUBRICATION TOOL (SEE FIG I)

The tool is grease-lubricated. A grease refill is only required during hammer work efficiency is low. Open the grease box lid at the top of the hammer using the pin spanner NOT provided. Then refill approx 30g grease NOT provided with your tool. The grease specification is general purpose lithium based.



Caution: Keep the container of grease away from children.



Trouble Shooting

1. If your power tool does not start, check the plug on the power supply first.
2. If your hammer becomes too hot in use, set the hammer switch to the drill mode and allow your drill to operate at maximum speed without load for 2 minutes.
3. If your hammer work efficiency is too low, please add sufficient grease in the grease box.
4. If work efficiency is too low please check drill bit or chisel and make sure it is not blunt or worn.
5. If a fault can not be rectified, return the tool to an authorized dealer for repair.

Technical Data


Technical Data Table

| | |
|--------------------------|-----------------|
| Voltage | 230 -240V-50 Hz |
| Power input | 1000 W |
| No load speed | 1050 /min |
| Impact rate | 5000 /min |
| Impact energy | 3.5J |
| Max drilling capacity in | |
| | Steel 13 mm |
| | Masonry 26 mm |
| | Wood 40 mm |
| Protection class | □/II |
| Weight | 4.00 kg |

Noise Information

A weighted sound pressure

A weighted sound power

Wear ear protection 

L_{pA} : 89.2 dB(A)

L_{WA} : 100.2 dB(A)

K_{pA} & K_{WA} = 3.0 dB(A)

Vibration Information

| | |
|---|---|
| Vibration total values (triax vector sum) determined according to EN 62841: | |
| Hammer drilling into concrete | Vibration emission value $a_{h,HD}$ = 19.140 m/s ² |
| | Uncertainty K = 1.5m/s ² |
| Chiseling | Vibration emission value $a_{h,Cheq}$ = 19.200 m/s ² |
| | Uncertainty K = 1.5m/s ² |

The declared vibration total value and the declared noise emission value have been measured in accordance with a standard test method and may be used for comparing one tool with another. The declared vibration total value and the declared noise emission value may also be used in a preliminary assessment of exposure.



WARNING: The vibration and noise emissions during actual use of the power tool can differ from the declared value depending on the ways in which the tool is used especially what kind of workpiece is processed dependant on the following examples and other variations on how the tool is used:

How the tool is used and the materials being drilled.

The tool being in good condition and well maintained.

The use the correct accessory for the tool and ensuring it is sharp and in good condition.

The tightness of the grip on the handles and if any anti vibration accessories are used.

And the tool is being used as intended by its design and these instructions.

Technical Data

Vibration Information

This tool may cause hand-arm vibration syndrome if its use is not adequately managed.



WARNING: To be accurate, an estimation of exposure level in the actual conditions of use should also take account of all parts of the operating cycle such as the times when the tool is switched off and when it is running idle but not actually doing the job. This may significantly reduce the exposure level over the total working period. Helping to minimise your vibration and noise exposure risk.

Always use sharp chisels, drills and blades.

Maintain this tool in accordance with these instructions and keep well lubricated (where appropriate).

If the tool is to be used regularly then invest in anti vibration accessories.

Plan your work schedule to spread any high vibration tool use across a number of days.

Environmental Protection



Waste electrical products should not be disposed of with household waste. Please recycle where facilities exist. Check with your local authorities or retailer for recycling advice.

Guarantee

This product is selected for DOMESTIC USE ONLY and not for business use.

This product is guaranteed against manufacturing defects for a period of 24 months. This does not cover the product where the fault is due to misuse, abuse, use in contravention of the instructions, or where the product has been the subject of unauthorised modifications or alterations, or has been the subject of commercial use. In the event of a problem with the product within the guarantee period please return it to your nearest store. If the item is shown to have an inherent defect present at the time of sale, the store will provide you with a replacement. Your statutory rights remain unaffected.

Issue, 02/2023

Plug Replacement (Uk & Ireland Only)

If you need to replace the fitted plug then follow the instructions below.

IMPORTANT

The wires in the mains lead are colored in accordance with the following code:

Blue – Neutral

Brown – Live

As the colors of the wires in the mains lead of this appliance may not correspond with the coloured markings identifying the terminals in your plug, proceed as follows. The wire which is coloured blue must be connected to the terminal which is marked with N. The wire which is coloured brown must be connected to the terminal which is marked with L.



WARNING:

Never connect live or neutral wires to the earth terminal of the plug. Only fit an approved BS1363/A plug and the correct rated fuse which is used in the plug.

Note: If a moulded plug is fitted and has to be removed take great care in disposing of the plug and severed cable, it must be destroyed to prevent engaging into a socket.

